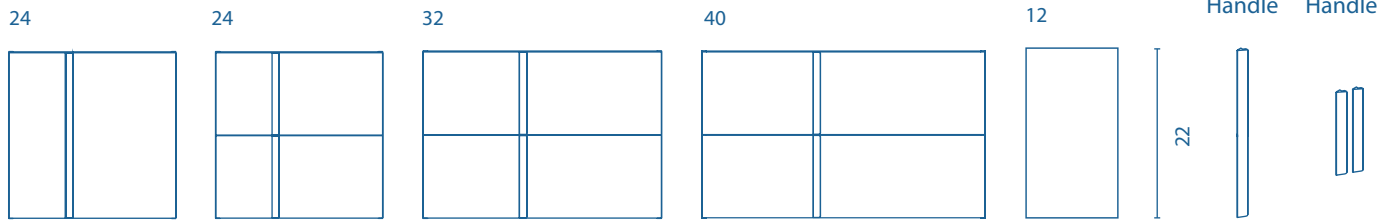


# ONIX+

## UNITS

Depth 18



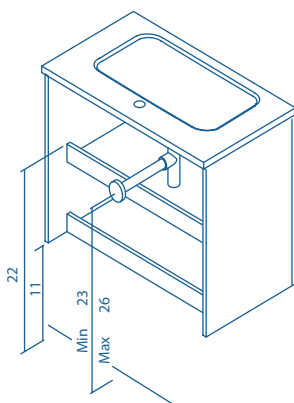
The 36 measurements are based on the 24 and 12 modules.  
 The 48 measurements are based on the 24 modules.  
 The 56 measurements are based on the 32 and 12 modules.  
 The 60 measurements are based on the 24 and 12 modules.  
 The 64 measurements are based on the 32 modules.  
 The 76 measurements are based on the 32 and 12 modules.  
 The 80 measurements are based on the 40 modules.

## TECHNICAL INFORMATION

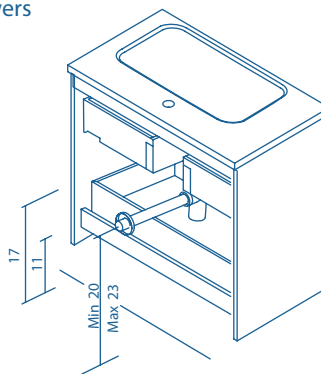
- STRUCTURE:** High gloss lacquered 5/8 in. board and melamine 5/8 in. board.
- FRONT:** High gloss lacquered 5/8 in. board and melamine 5/8 in. board.
- HANDLE:** Sandy grey - Matt white finish / Essence wenge - Matt black finish / White and anthracite - Metallic bright chrome finish.
- HINGE:** 105° opening, Ø 1 in. cap, easy assembly and soft closing system.
- DRAWER:** Drawers made in grey textile poly laminate coated board with hidden full extraction runners with soft close system. Includes organizer for small items in upper drawer. Lower drawer useful space (widthxhighxdepth): 20x4x15 in. (unit 24 in.), 28x4x15 in. (unit 32 in.), 35x4x15 in. (unit 40 in.).
- WALL HANGING BRACKET:** Hidden hanging brackets with direct assembling system, great resistance and depth regulation.
- OPTIONAL LEGS:** ABS L-shaped finish with adjustable legs. Optional, not included in unit.
- PIPE DEPTH:** Pipe depth 3 in.

## SIPHON PLACEMENT

2 Doors



2 Drawers



## FINISHES



## HANDLE FINISHES

