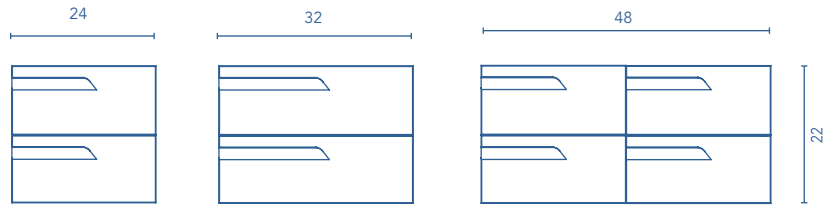


FURNITURE

UNITS

Depth 18



FINISHES



NATURE BEIGE



NATURE GREY

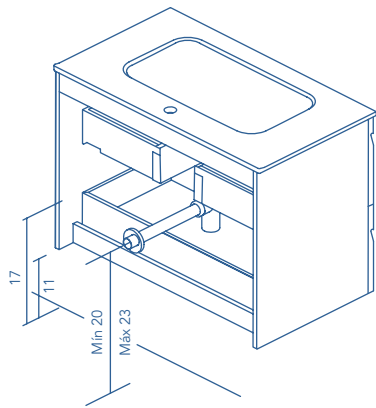


WHITE

\* Measures in inches.

Rear plumbing 3 in.

2 Drawers



| SIDE PANELS           | FRONTS                | DRAWERS                   |                             |                     |               | HANDLE                   | FINISHES | SIDE PANEL FINISHES | FRONT FINISHES         | RANGE WIDERING |                 |                   |
|-----------------------|-----------------------|---------------------------|-----------------------------|---------------------|---------------|--------------------------|----------|---------------------|------------------------|----------------|-----------------|-------------------|
| Fibreboard<br>5/8 in. | Fibreboard<br>5/8 in. | Fully removable<br>Indaux | Grey<br>textile<br>interior | Drawer<br>organizer | Soft<br>close | Integral<br>front handle | Foil 3D  | Flat lacquering     | Special lacquer finish | D-18           | Wall<br>hanging | Floor<br>standing |

Dimensions indicated in the drawing are based on the level of the whole leg, in case of wall hanging the furniture dimensions also may vary. The measures of these schemes are represented in inches.