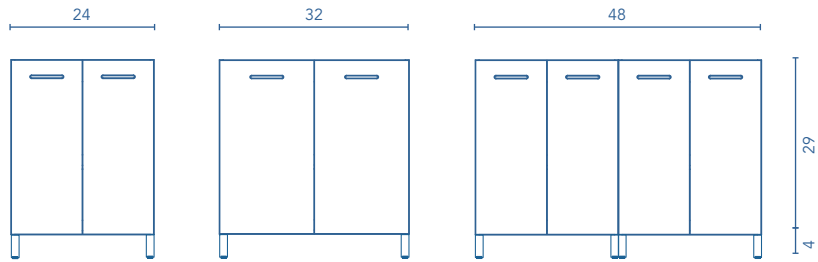


FURNITURE

UNITS

Depth 18



FINISHES



WHITE

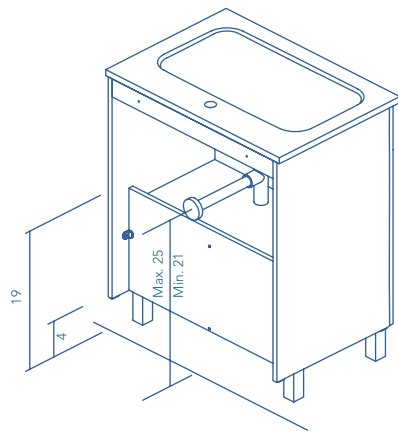


ANTHRACITE

* Measures in inches.

Rear plumbing 3 in.

2 Doors



SIDE PANELS	FRONTS	DOORS		HANDLE	FINISHES	SIDE PANEL FINISHES	FRONT FINISHES	RANGE WIDERING	
		Grey interior	Soft close					D-18	Floor standing
Fibreboard 5/8 in.	Fibreboard 5/8 in.			Metal handle	Melamine	Flat lacqering	Flat lacqering		

Dimensions indicated in the drawing are based on the level of the whole leg, in case of wall hanging the furniture dimensions also may vary. The measures of these schemes are represented in inches.