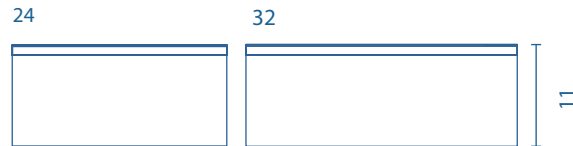


VIDA

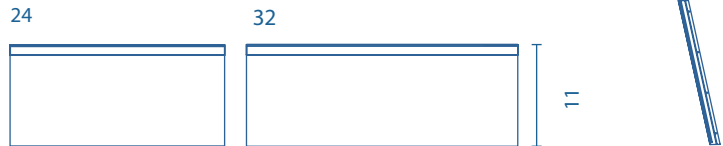
UNITS

Depth 18



SIDE UNIT

Handle



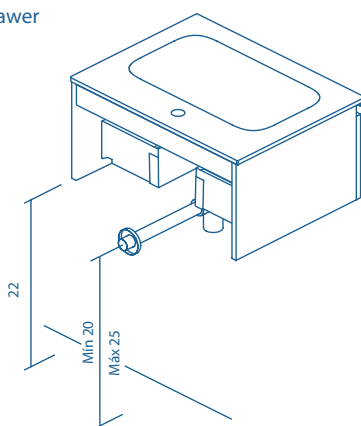
The 48 measurements are based on the 24 modules.
The 64 measurements are based on the 32 modules.

TECHNICAL INFORMATION

- STRUCTURE:** High gloss lacquered 5/8 in. board and 5/8 in. melamine board.
- FRONT:** High gloss lacquered 5/8 in. board and 5/8 in. melamine board.
- HANDLE:** Matt white finish, matt black finish and Metallic bright chrome finish.
- DRAWER:** Drawers made in mokka textile poly laminate coated board with hidden full extraction runners with soft close system. Includes organizer for small items in upper drawer. Lower drawer useful space (widthxhighxdepth): 20x4x14 (24 in.), 26x4x14 (32 in.).
- WALL HANGING BRACKET:** Hidden hanging brackets with direct assembling system, great resistance and depth regulation.
- PIPE DEPTH:** Pipe depth 3 in.

SIPHON PLACEMENT

1 Drawer



FINISHES



HANDLE FINISHES

