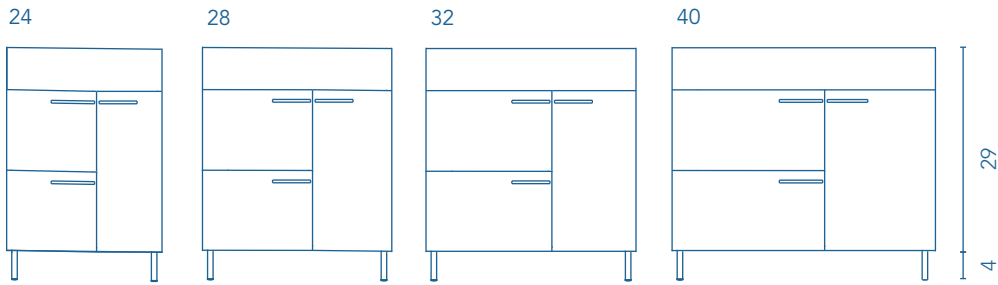


CONFORT

UNIT

Depth 18

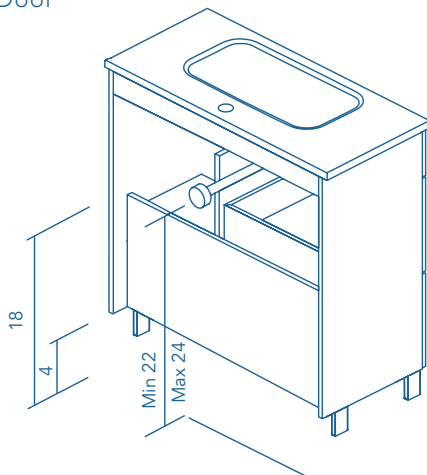


TECHNICAL INFORMATION

- STRUCTURE: High gloss lacquered 5/8 in.
- FRONT: High gloss lacquered 5/8 in.
- HANDLE: Metallic bright chrome finish.
- HINGE: 105° opening, Ø 1 in. cap, easy assembly and soft closing system.
- LEGS: ABS, metallic in the finish of the handle.
- PIPE DEPTH: Pipe depth 3 in.

SIPHON PLACEMENT

2 Drawers 1 Door



FINISHES



WHITE



ANTHRACITE