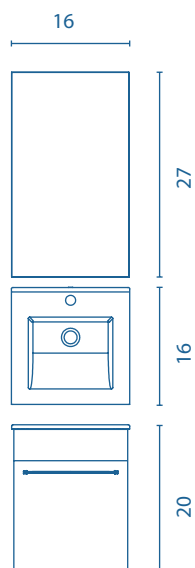


QUBO

UNIT

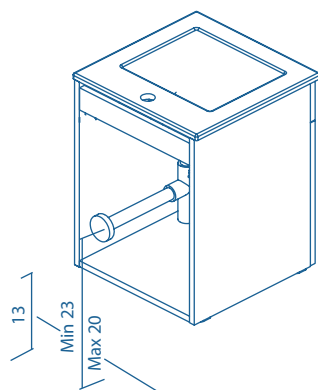
Depth 16



TECHNICAL INFORMATION

STRUCTURE:	High gloss lacquered 5/8 in. board and 5/8 in. melamine board.
FRONT:	High gloss lacquered 5/8 in. board and 5/8 in. melamine board.
HANDLE:	Metallic bright chrome finish.
HINGE:	105° opening, Ø 2/3 in. cap, easy assembly and soft closing system.
MIRROR:	Rear part with 2/3 in. board.
WALL HANGING BRACKET:	Hidden hanging brackets with direct assembling system, great resistance and depth regulation.
SINK:	Ceramic sink with 16 in. depth.

SIPHON PLACEMENT



FINISHES

