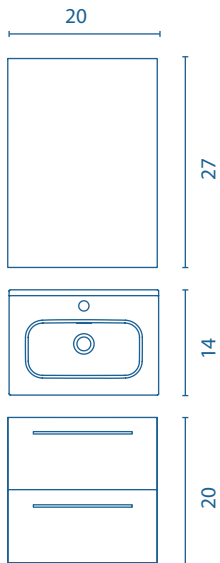


STREET

UNITS

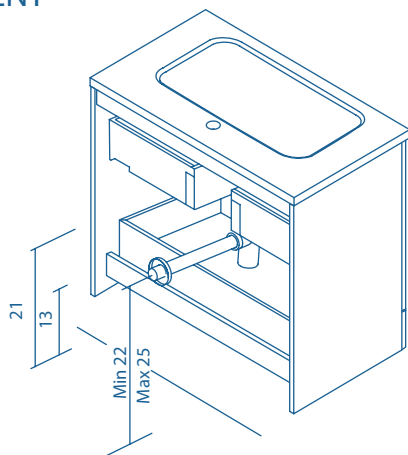
Depth 14



TECHNICAL INFORMATION

STRUCTURE:	High gloss lacquered 5/8 in. board and 5/8 in. melamine board.
FRONT:	High gloss lacquered 5/8 in. board and 5/8 in. melamine board.
HANDLE:	Metallic bright chrome finish.
DRAWER:	Drawers made of grey plylaminated board with hidden full extraction runners with soft close system. Lower drawer useful space (widthxheightxdepth): 16x4x10 in.
WALL HANGING BRACKET:	Hidden hanging brackets with direct assembling system, great resistance and depth regulation.
MIRROR:	Rear part with 2/3 in. board.
SINK:	Ceramic sink with 14 in. depth.

SIPHON PLACEMENT



FINISHES

